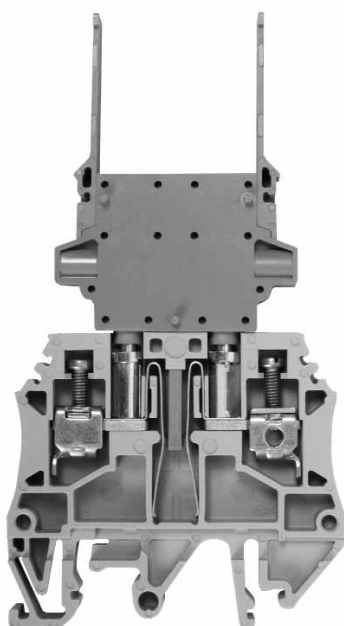


Disconnect test terminals WTL 4/2 STB

NEW



Disconnect test terminals are put to use in all kinds of applications where it becomes necessary to tap into the electrical circuits for test and control purposes. In order to perform the measuring procedure as quickly as possible, the test adapter must be quick and easy to connect. Together with the corresponding test adapters, the new WTL 4/2 STB facilitates disconnecting the circuit by opening the busbar and connecting to the test sockets in a single movement.

Three test adapters/disconnect plugs are available. The dark beige version (WTA8 TN) is used without test leads as a simple disconnect device when inserted into the block. The red version (WTA8 TN-KO) is for voltage measurements where the disconnect function can be activated before making contact to the test sockets (break-before-make). Finally, the green version (WTA8 KO-TN) is for

current loop or CT circuit measurements where the contact with the test sockets must be made before disconnecting the main circuit (make-before-break). This allows a non-disrupting current measurement which prevents an undesirable interruption to the circuit. Test adapters with the (ZA) designation can be ganged together for multiple circuit disconnections.

- Dual function test plugs: makes contact with the test socket contacts and opens the circuit
- Easy connection of test wire leads via standard screw clamps
- Safe and simple measurements for current or voltage
- Finger safe for the operator
- TS35 and TS32 mounting via Combi-foot
- Large marking options
- WEMID Material: UL 94V-0

United States

Weidmüller
821 Southlake Blvd.
Richmond, Virginia 23236
Telephone: (800) 849-9343
Facsimile: (804) 379-2593
Email: info@weidmuller.com
Website: www.weidmuller.com

Canada

Weidmüller, Canada
10 Spy Court
Markham, Ontario L3R 5H6
Telephone: (800) 268-4080
Facsimile: (905) 475-2798
Email: info1@weidmuller.ca
Website: www.weidmuller.ca

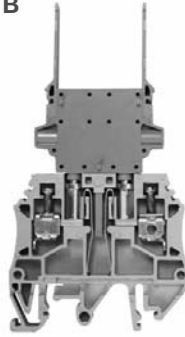
Mexico

Weidmüller, Mexico
Ave. Ingenieros Civiles 204-B
Conjunto Industrial Chachapa
Chachapa Amozoc, Puebla
72990, Mexico
Telephone: 01 222 2866246/47/48
Facsimile: 01 222 2866242

Disconnect test terminals

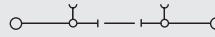
Forced short-circuit function

WTL 4/2 STB



Width/Length/Height with TS35x7.5 mm
 Max. current / max. cond. cross-section A/mm²
 Max. clamping range mm²

6 x 56.5 x 50
11 / 6
0.13 ... 6



Technical data

Rated data
 Rated voltage V
 Rated current A
 Rated cross-section AWG
 Rated impulse voltage / Pollution severity kV/-
 Plug gauge IEC 60-947-1 / flammability class acc. UL 94
 Approvals

IEC 60947-7-1

IEC	UL	CSA	EN 60079-7
500	300	300	
6	8	8	
4 mm ²	26...10	26...10	
	6 / 3		
	A4 / V-0		

Clampable conductors (H05V/H07V)
 Solid / stranded mm²
 Flexible / flexible with wire end ferrule mm²
 Tightening torque range (clamping screw) Nm
 Stripping length / blade size mm / -

Rated connection
 0.5...6 / 1.5...6
 0.5...6 / 0.5...4
 0.5...0.8 (M 3)
 10 / 0.6 x 3.5

2 clampable conductors of equal cross-section (H05V/H07V)
 Solid / stranded mm²
 Flexible / flexible with wire end ferrule mm²

Rated connection
 0.5...1.5
 0.5...1.5 / 0.5...1.5

Information

2 1.5-mm² solid-core leads must be connected with 0.6 Nm.

Ordering data

Version
 dark beige Wemid with socket contact

Type	Qty.	Part No.
WTL 4/2 STB	50	1881650000

Information

Accessories

Test plugs/adaptor* **Version**
 Wemid red
 Wemid red
 Wemid green
 Wemid green
 Wemid dark beige
 Wemid dark beige



Type	Qty.	Part No.
WTA8 TN-KO/ZA	10	1915520000
WTA8 TN-KO	10	1915470000
WTA8 KO-TN/ZA	10	1915510000
WTA8 KO-TN	10	1915480000
WTA8 TN/ZA	10	1915500000
WTA8 TN	10	1915450000

End plate/partition **Version**
 Wemid dark beige

Type	Qty.	Part No.
WAP WTL 4/2 STB	50	1881640000

Shield connection rail

Type	Qty.	Part No.
LS 2.8		1056400000

End bracket

Type	Qty.	Part No.
WEW 35/2	100	1061200000

Cross-connection – external

Type	Qty.	Part No.
WQB A/24	50	1579000000

Marking systems

Tags

WS 12/6 / DEK 6

*Key: TN = Disconnect
 KO = Connect
 ZA = Plastic pins to secure adjacent WTA8 test plugs
 Example: KO-TN Connects before disconnects circuit

